
HENNIKER HISTORIAN

MARCH 2019 NUMBER 75

NEWSLETTER OF THE HENNIKER HISTORICAL SOCIETY AND MUSEUM

Henniker Historical Society Board 2018-19

President: Kristen MacLean

Vice President: Diane Carpenter

Treasurer: Ron Taylor

Secretary/Newsletter: Ellen Reed

Members

Susan Adams, Deb Dow

Nicole Giradet, Marc McMurphy,

Yolande Nicknair, Martha Taylor

MARTHA TAYLOR NAMED TOWN HISTORIAN

Congratulations to long-time Henniker Historical Society member, Martha Taylor for being named Henniker's first ever Town Historian. Martha is a veritable font of local history and knows where all the bodies are buried (literally and figuratively!). Martha's vast knowledge of Henniker's past has made her an invaluable asset for the whole town and we are so pleased with her new title.



FROM THE PRESIDENT

Winter is probably the best time for walking in the woods. The landscape is open for better viewing; frozen for easier trekking; and free from annoying bugs. This makes it a great time to explore areas that are hard to access during the warmer months.

Being interested in Henniker's public lands and lured by the bike and trail map (available on the town webpage), my husband and I have gone deep into the Colby, Liberty and Mink Hills this winter. You can access these places on abandoned (class VI) roads. When you pay attention to the stone walls, their breaks and configurations on the landscape, you often find the remains of old homesteads. I realize that not everyone has the ability to explore these places, but now there is a way to do it virtually from the comfort of your home.

In January 2019, NH GRANIT launched a Stone Wall Mapping project across the state. The project uses LiDAR technology which eliminates all vegetation and structures from the earth's surface and makes it possible to view the "bare earth". So far I have only perused the website. It is amazing! Eventually, I hope to become one of the individuals participating in the crowd sourcing effort to identify and map stone walls. The goal is to create a baseline inventory of existing stone walls in order to preserve these historical features. Visit www.granit.unh.edu to access this free database.

Thanks for the continued support and happy mapping! **Kristen MacLean**

A Century in the Life of Henniker, NH A Birdseye View of 1900 – 2000

Copies of Martha Taylor's new history of the town of Henniker is now available at the Henniker Historical Society and Museum for \$20. Told through newspaper clippings from throughout the 20th century, this highly readable and entertaining book gives us a wonderful overview of life in Henniker. From locals protesting whist games in 1900 to Bruce Elliott being named Citizen of the Year in 1999, readers are sure to be enlightened. Get your copy now!

Acquisitions

As I sit in my parka and hat in the chilly acquisitions room in the Historical Museum, I am always amazed at the variety of items brought to us – from a *Yankee Magazine* article titled *The Wild Bee Hunter of Henniker* (none other than Arthur Morse) to one of the small hand-forged horseshoes made by Forrest Morse which were thrown to spectators from a float in the Bicentennial Parade; with photo albums of the Morse, Huntington, and Aucoin families, to the Vietnam dog tags of Arthur Brown III. These items are all given an acquisition number and carefully stored in various rooms upstairs as well as in the museum or sometimes in the display case at Town Hall.

We are currently looking for Henniker railroad photos and memorabilia to be used as part of a program on area railroads being planned by a consortium of neighboring historical societies during the summer of 2020. More on this to come as plans unfold.

When donating, please remember to provide as much historical information as possible concerning your item as well as its relationship to Henniker History.

If you are interested in cataloguing and preserving history, please give us a call or stop by the museum on Thursday afternoons. Volunteering at the museum is always interesting and you will learn much about Henniker history.

Thank you for your continued interest,

Susan Adams, Acquisition



Don't miss Maple Weekend at the Mt. Kearsarge Indian Museum, 18 Highland Rd in Warner, March 23-24, 10 – 4. Lots of fun activities for children and adults!

VOLUNTEERS NEEDED!

The Historical Society is always in need of volunteers to help us in our mission to preserve Henniker history. No experience is needed! New board members are also needed. So, if you have some spare time you'd like to donate, please contact Deb Dow at 491-6686.

VISIT US ON THE WEB:

www.hennikerhistory.org

email: society@mettelecom.com

Facebook

VISIT US AT ACADEMY HALL

51 Maple St

Henniker, NH 03242

603-428-6267

BUSINESS MEETINGS

Monthly board meetings are held the 2nd Monday of each month at 6:30 pm in Academy Hall. Members and prospective members are invited to attend.

MEMBERSHIP

Your membership expiration is noted on your mailing label, if yours is about to expire please renew to continue to receive the newsletter and support us as we preserve Henniker history.

To renew, send \$5.00 per person (checks can be made out to Henniker Historical Society) along with your name and address to:

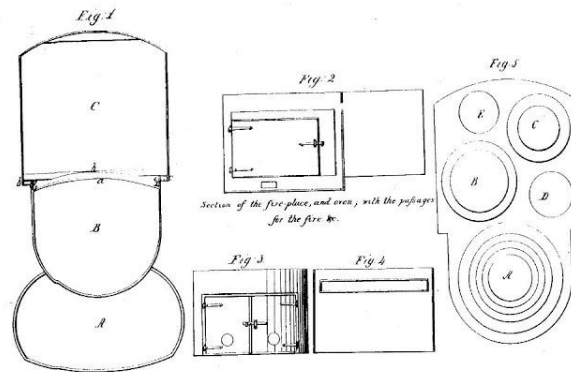
**Henniker Historical Society
PO Box 674
Henniker, NH 03242**



Cooking Stove Inventors

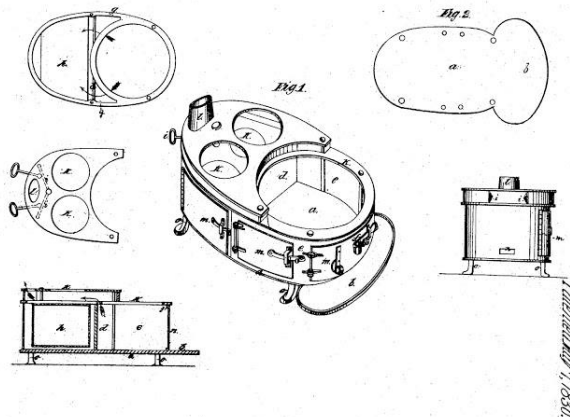
There were two cooking stoves manufactured by men born in Henniker in 1700s.

James Childs was born in Henniker in 1795. According a Childs family genealogy book, he was one of the first, if not *the* first, inventor of a cooking stove manufactured in New Hampshire. He was an ingenious and skillful mechanic and received a patent about 1832. It is not known if he had a foundry or just a blacksmith shop, but he made stoves in West Henniker, selling them over the countryside. His son remembers learning to read his father's name on their kitchen stove. According to Howell Harris, stove historian, "Childs' stove must have been heavy as well as costly, suited to a large household or small hotel, built to order in small numbers and not designed for large batch production and inter-regional trade."



Blueprint of Childs' stove

John Moore was born John Hogg about 1790, but legally changed his name with the rest of his family in 1803. It is believed he was born in Henniker, but not confirmed. He lived in the Quaker district on a small farm near the Deering line due south of the Harriman property where the Aucoins now live. After he married, he and his family lived in a little red house that once stood where the NEC library is currently located. Eventually, the family moved to New York where he invented a cooking stove and peddled it widely around New England, including Henniker. His stove seems to be the first cooking stove in NH whose patent still survives



Design of John Moore's cookstove
images courtesy of stovehistory.blogspot.com

THE UNKNOWN PHOTO PAGE

Frequently, we receive photos with no information whatsoever and thus cannot identify the people or places depicted. So, again, we turn to our readers in the hopes that perhaps someone out there will be able to help us identify some of the photos. If you know any of the people or places, please contact us at the Historical Society. And remember to label your photos so in the future, people won't be left wondering who you were!

Thanks for your help!

Photo 1: The Unknown Soldier



Photo 2: Unknown Family 1



Photo 3 Unknown Family 2

Henniker Historian

Henniker Historical Society
PO Box 674
Henniker, NH 03242

NON-PROFIT ORG.
US POSTAGE
PAID
HENNIKER, NH
PERMIT NO. 35

March 2019
Newsletter
Issue No. 75

ADDRESS SERVICE REQUESTED

Huntoon Collection Display at Town Hall



Alberto Dana Huntoon was an avid collector of unique and unusual items from around the world. From plants and minerals to historical items such as Civil War musket balls and Native American artifacts, Huntoon collected anything that caught his interest. In the early part of the 20th century, Huntoon donated his collection to the Henniker public library, and it eventually came to the Henniker Historical Society and Museum. We have created a display in the Town Hall of just a few of the unique items from this large collection. Be sure to stop by and check out some of the unusual esoterica of the Huntoon Collection.